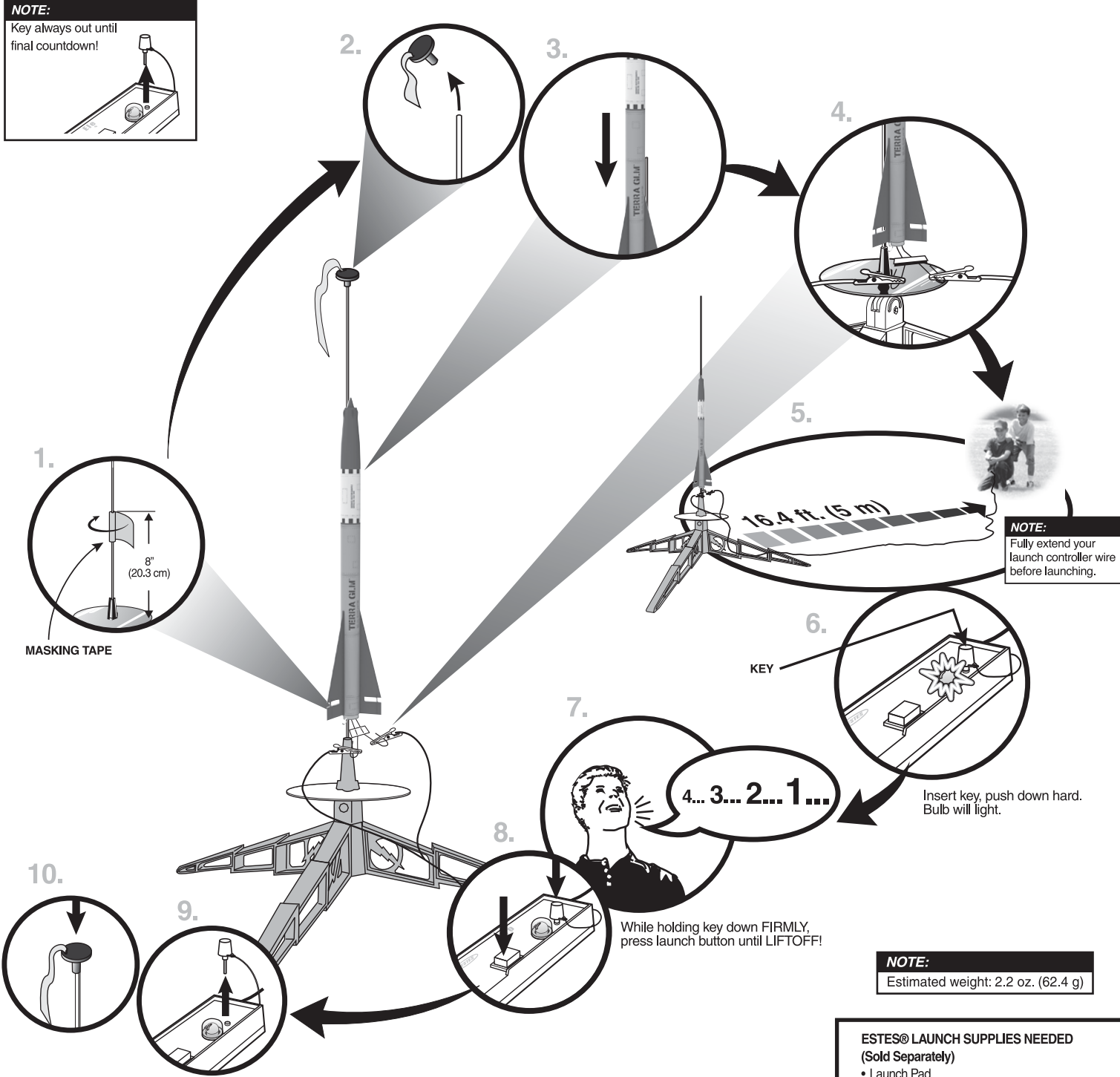


COUNTDOWN & LAUNCH



- ESTES® LAUNCH SUPPLIES NEEDED (Sold Separately)**
- Launch Pad
 - Launch Controller
 - Recovery Wadding
 - Starters (with engines)
 - Plugs (with engines)
 - Estes® Engines: B4-4, B6-4, C6-5

PRECAUTIONS

NAR SAFETY CODE

NO DRY GRASS OR WEEDS

PRE-LAUNCH CHECK For safety, never launch a damaged rocket. Check the rocket's body, nose cone and fins. Also, check the engine mount, recovery system and launch lug(s). Repair any damage before launching the rocket.

FLYING YOUR ROCKET Choose a large field (500 ft. [152 m] square) free of dry weeds and brown grass. The larger the launch area, the better your chance of recovering your rocket. Football fields and playgrounds are great. Launch only with little or no wind and good visibility. Always follow the National Association of Rocketry (NAR) SAFETY CODE (enclosed).

MISFIRES TAKE THE KEY OUT OF THE CONTROLLER. WAIT ONE MINUTE BEFORE GOING NEAR THE ROCKET. Disconnect the micro-clips and remove the engine. Take the plug and starter out of the engine. A burned starter means the starter tip is not touching engine propellant. Install a new starter; be sure the tip is touching propellant inside the engine. Push the plug in place. Repeat steps under Countdown and Launch.



EstesRockets.com

TERRA GLM™

7292



MODEL ROCKET INSTRUCTIONS

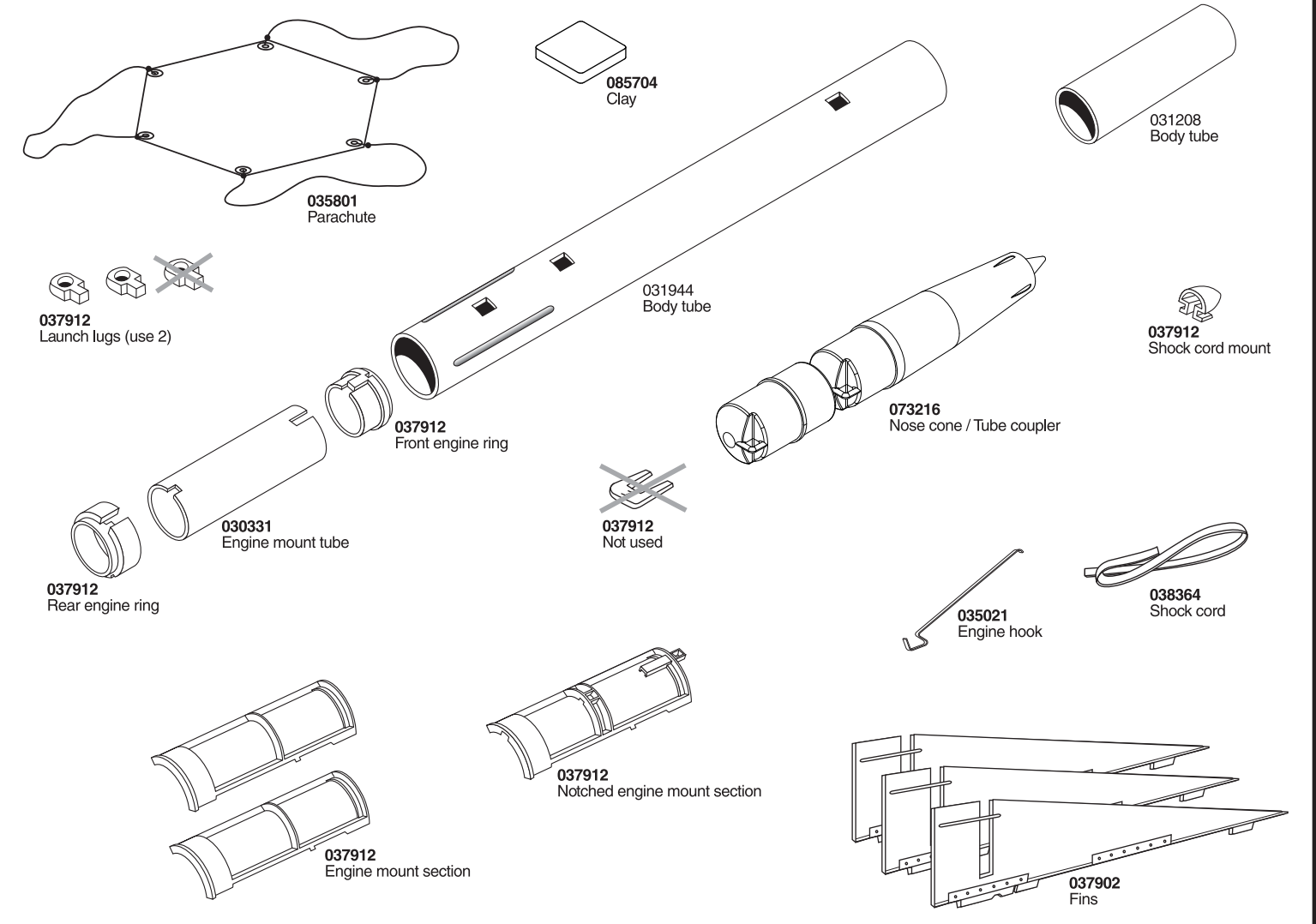
KEEP FOR FUTURE REFERENCE

IMPORTANT: Please record date found on decal and keep for future reference. _____

Read all instructions. Make sure you have all parts and supplies. Test fit all parts before applying glue. Product color and shape may vary.

- SUPPLIES**
- HOBBY KNIFE
 - PLASTIC CEMENT
 - MASKING TAPE

090001-7292
Self-stick decal



ASSEMBLE ENGINE MOUNT

1. **LONG NOTCH**
SHORT NOTCH
Line up notches.
2. **SLOT**
Attach engine hook. Push front tab through slot in tube.
3. **IMPORTANT! THIS NOTCH GOES OVER ENGINE HOOK!**
Apply plastic cement to underside of notched engine mount section and attach.
4. Attach the remaining sections with plastic cement. Let dry.

INSTALL ENGINE MOUNT

1. Apply plastic cement as shown. Insert engine mount into rear of body tube.
NOTE: Line up launch lug openings.
 2. Apply plastic cement to launch lugs. Insert launch lugs.
NOTE: Line up launch lug openings.
 3. Apply plastic cement to fins. Insert as shown.
NOTE: This notch goes to front. Test fit before gluing.
 4. Check alignment. Let dry.
-

ATTACH SHOCK CORD MOUNT / INSTALL SHOCK CORD

- 1.
2. **ROUND END TO FRONT**
Let dry.
3. Trim end.
4. Insert trimmed end through shock cord mount. Tie double knot in opposite end. Pull tight.

PREPARE NOSE CONE SECTION

- 1.
2. Remove plastic from inside eyelet.
NOTE: Do not cut off eyelet.
3. Enlarge hole.
4. **CLAY**
- 5.
6. **STICK**
7. Let dry.

PREPARE PARACHUTE

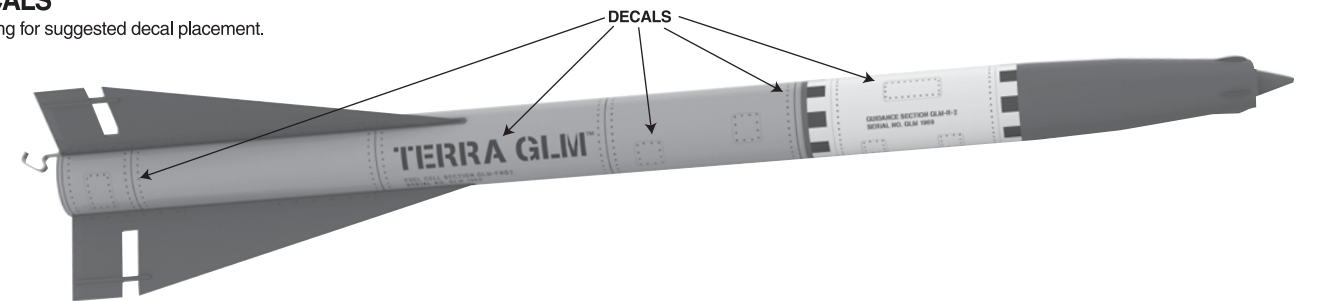
- 1.
- 2.
- 3.
- 4.
5. **DOUBLE KNOT**
Shock cord

PREPARE FLIGHT RECOVERY

1. Push recovery wadding to bottom of body tube.
5-6 SQUARES ESTES® RECOVERY WADDING
 - 2.
 - 3.
 - 4.
 5. Wrap lines loosely and insert parachute into body tube.
 6. Insert nose cone into body tube.
- NOTE:** Recovery wadding and parachute must slide easily into body tube. If too tight, redo.

APPLY DECALS

Refer to packaging for suggested decal placement.



PREPARE ENGINE

1. Use 1 each. **STARTER** **PLUG**
 2. **ENGINE**
 3. **TIP MUST TOUCH PROPELLANT!**
 - 4.
 - 5.
 - 6.
- WARNING: FLAMMABLE**
To avoid serious injury, read instructions & NAR Safety Code included with engines. **PREPARE YOUR ENGINE ONLY WHEN YOU ARE OUTSIDE AT THE LAUNCH SITE PREPARING TO LAUNCH.** If you do not use your prepared engine, remove the starter before storing your engine.