



EstesRockets.com

PROSPECTOR™

3240

AGES
10+



Skill Level

BEGINNER

MODEL ROCKET INSTRUCTIONS

KEEP FOR FUTURE REFERENCE

IMPORTANT: Record date found on decal and keep for future reference: _____. Read all instructions. Make sure you have all parts and supplies.

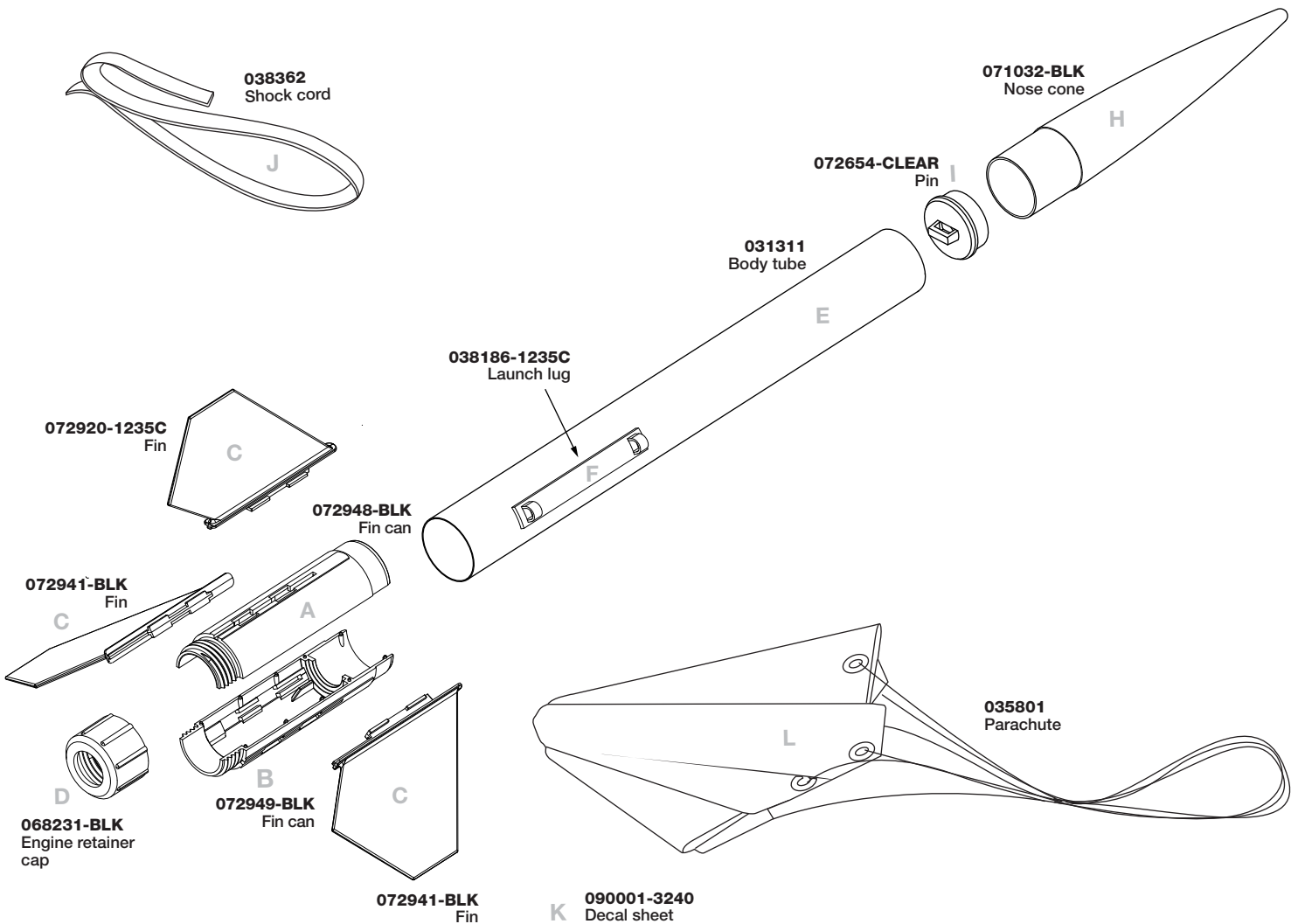
SUPPLIES



PLASTIC CEMENT



SCISSORS

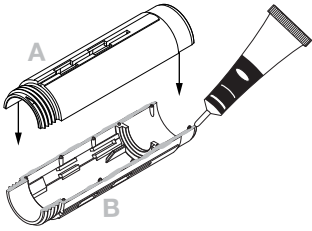


066459 Clear reinforcement tape



ASSEMBLE FIN CAN UNIT

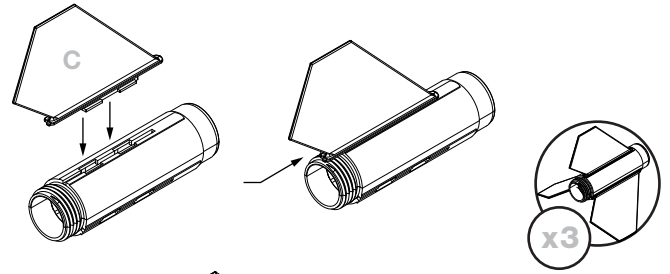
1. Apply plastic cement to edges of B.



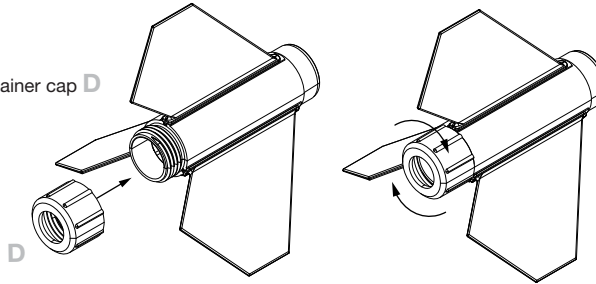
2. Press A and B together and hold for 20 seconds.



3. Insert fin C into slot and slide forward to lock into place. Repeat for remaining fins.



4. Screw engine retainer cap D onto fin can unit.

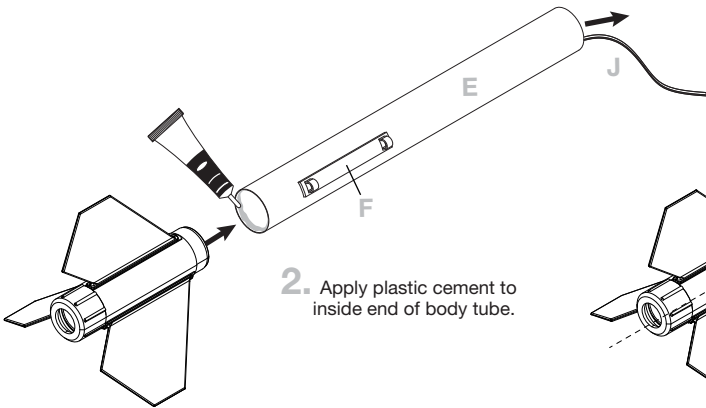


⚠ CAUTION:

For safe handling of plastic cement, see manufacturer's warnings and follow instructions for use.

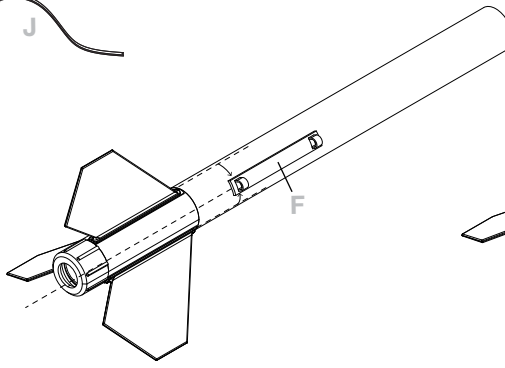
ATTACH BODY TUBE TO ENGINE MOUNT

1. Pull shock cord J out of body tube E.

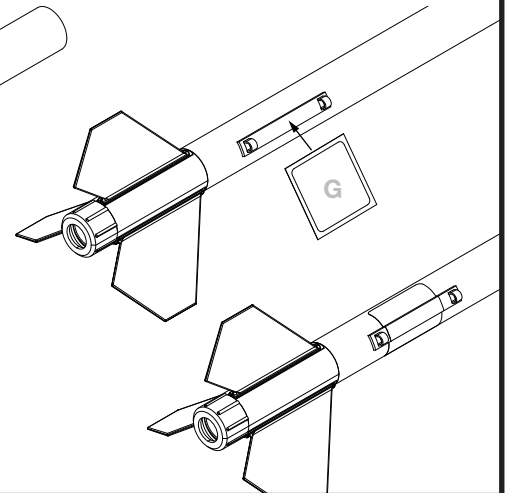


2. Apply plastic cement to inside end of body tube.

3. Insert engine mount into body tube, aligning launch lug F between fins.

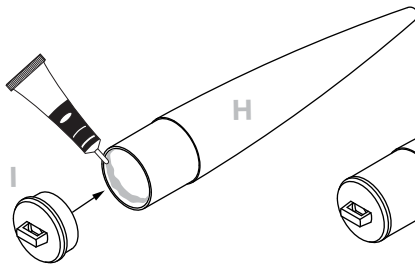


4. Apply clear reinforcement tape G over launch lug.



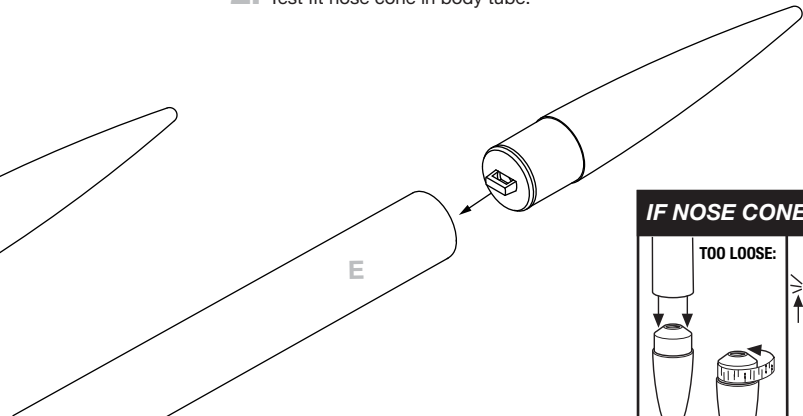
ASSEMBLE NOSE CONE

1. Apply plastic cement to inside end of nose cone H and insert pin I.

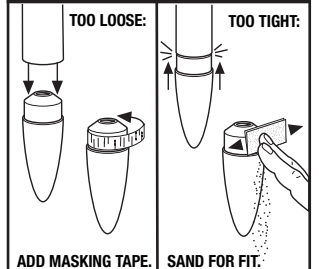


LET DRY

2. Test fit nose cone in body tube.

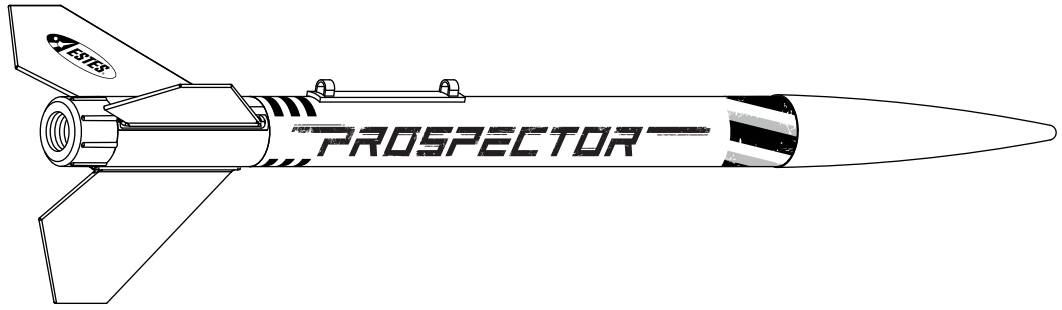


IF NOSE CONE FIT IS . . .

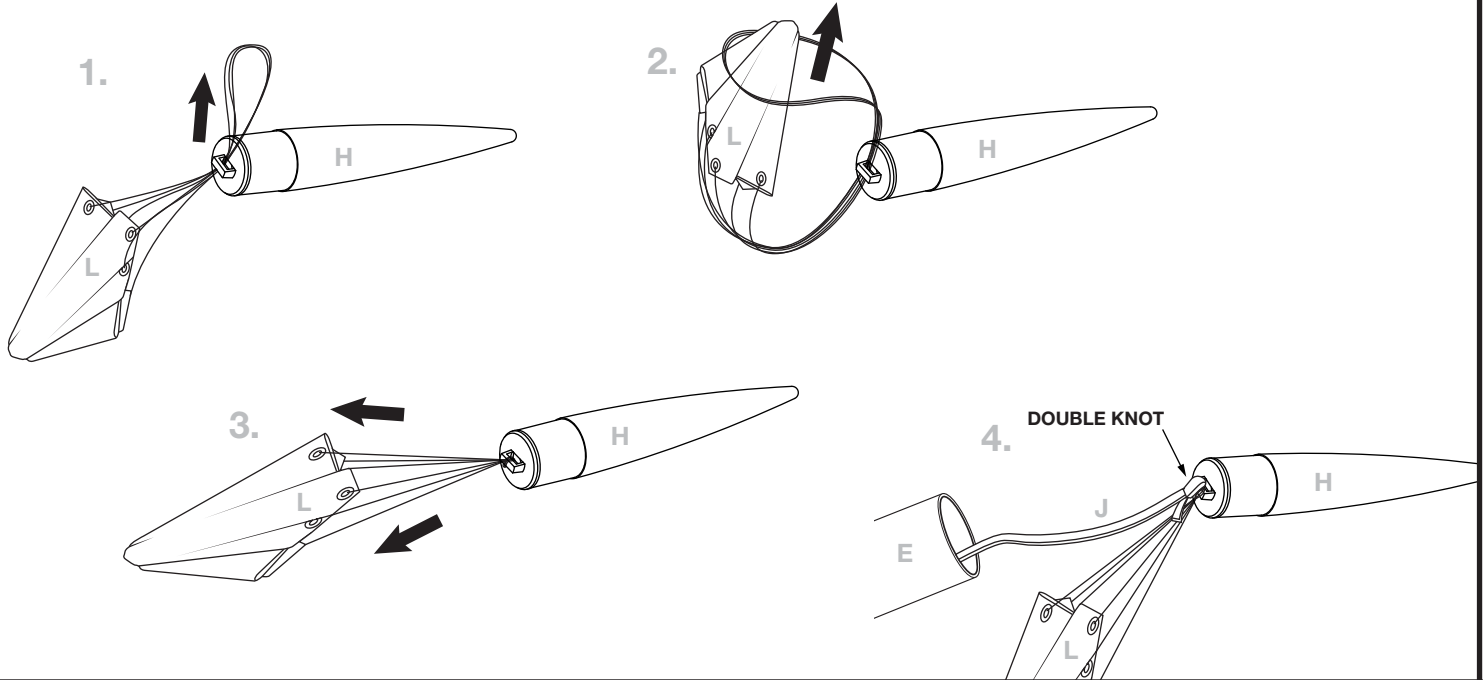


ROCKET FINISHING

1. Apply decals.

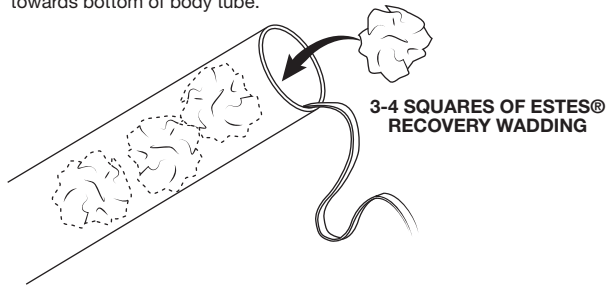


INSTALL RECOVERY SYSTEM

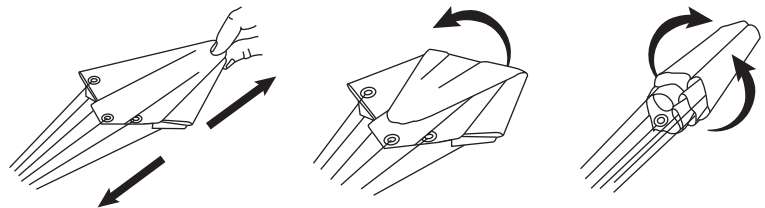


PREPARE FLIGHT RECOVERY

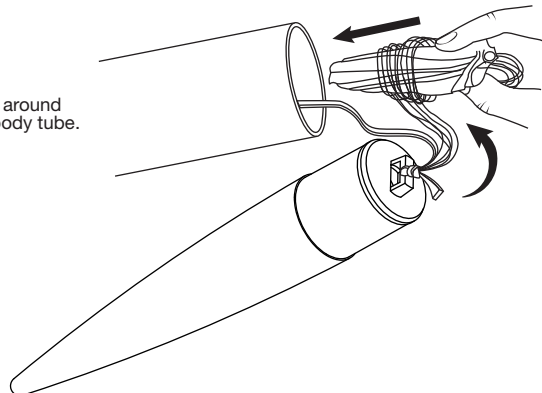
1. Push recovery wadding down towards bottom of body tube.



2. Fold parachute as shown.



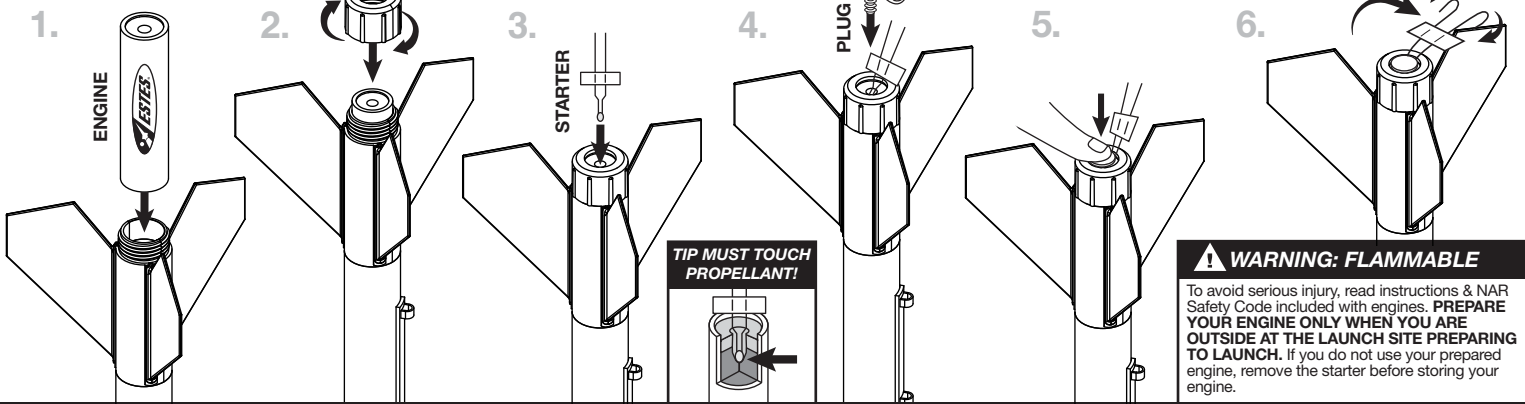
3. Wrap shroud lines loosely around parachute and insert into body tube.



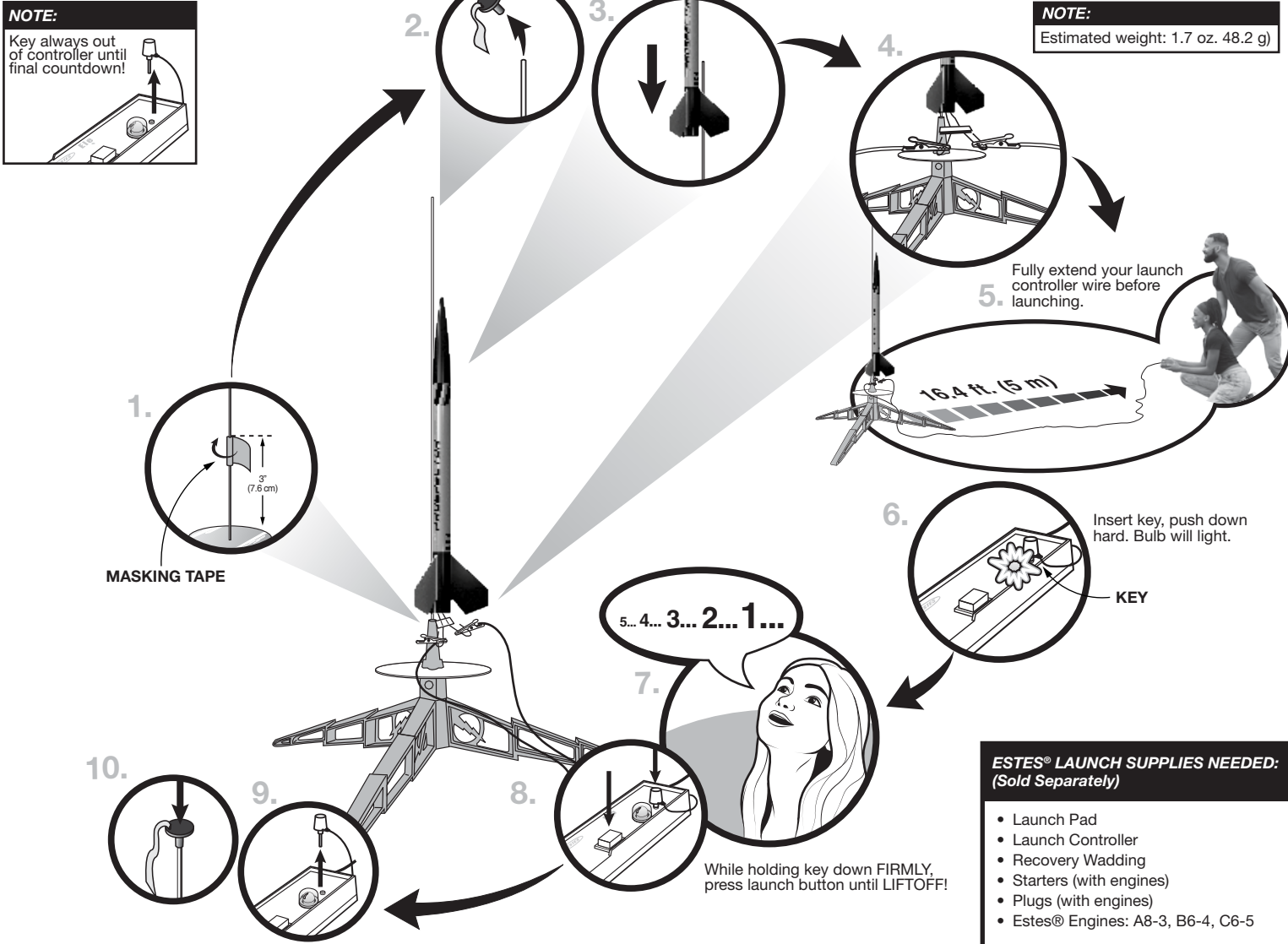
NOTE:

Recovery wadding and parachute must slide easily into body tube; redo if too tight.

PREPARE ENGINE



COUNTDOWN AND LAUNCH



ESTES® LAUNCH SUPPLIES NEEDED: (Sold Separately)

- Launch Pad
- Launch Controller
- Recovery Wadding
- Starters (with engines)
- Plugs (with engines)
- Estes® Engines: A8-3, B6-4, C6-5

PRECAUTIONS



PRE-LAUNCH CHECK For safety, never launch a damaged rocket. Check the rocket's body, nose cone and fins. Also, check the engine mount, recovery system and launch lug(s). Repair any damage before launching the rocket.

FLYING YOUR ROCKET Choose a large field (500 ft. [152 m] square) free of dry weeds and brown grass. The larger the launch area, the better your chance of recovering your rocket. Launch only with little or no wind and good visibility. Always follow the National Association of Rocketry (NAR) SAFETY CODE (enclosed).

MISFIRES TAKE THE KEY OUT OF THE CONTROLLER. WAIT ONE MINUTE BEFORE GOING NEAR THE ROCKET. Disconnect the micro-clips and remove the engine. Take the plug and starter out of the engine. A burned starter means the starter tip was not touching engine propellant. Install a new starter; be sure the tip is touching propellant inside the engine. Push the plug in place. Repeat steps under Countdown and Launch.